

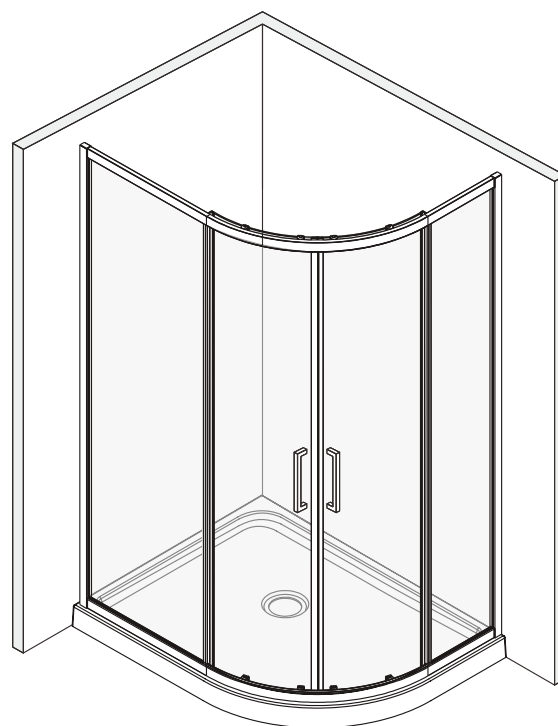
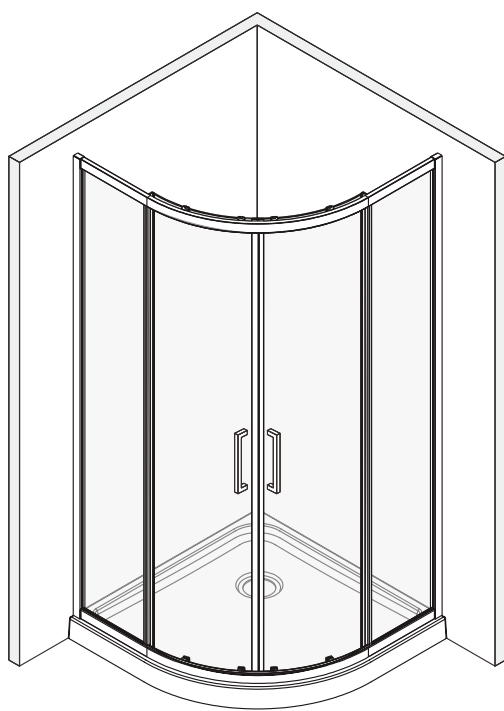
# USER MANUAL



Thank you for choosing Better Bathrooms.  
Please read this manual before installing your product  
and keep for future reference.

**better**   
**bathrooms**

**PRODUCT NAME-PAVO SLIDING QUADRANT & OFFSET QUADRANT DOOR**  
**PRODUCT CODE-BEBA\_26039~BEBA\_26054 BEBA\_26750~BEBA\_26765**  
**PAVQBB800 PAVQBB900 PAVQBB1000**



- **Multi-person assembly**
- **Tools required**
- **We always recommend using professional tradespeople to install your product**

# **Congratulations on your purchase**

*And welcome to our growing gang of savvy shoppers*

We're on a mission to bring you extraordinary bathroom products, for less. From modern to traditional style ceramics, plus the gorgeous fixtures, fittings and furniture to match. So, you can fall in love with your space every single day.

As one of the UK's largest independent bathroom stores, we've received countless awards; including the National Business Awards UK, the Digital Entrepreneur Awards and being placed on The Sunday Times Fast Track 100.

We hope your new product goes above and beyond your expectations. However, should any problems occur, please:

- log in to your account and contact our customer services team via your self-serve portal – [betterbathrooms.com/CustomerAccount/Login](https://betterbathrooms.com/CustomerAccount/Login)
- contact us via [betterbathrooms.com/content/contact-us](https://betterbathrooms.com/content/contact-us)

## **Important information**

- Please read these instructions thoroughly and retain for future reference
- Always check for pipes and cables before drilling

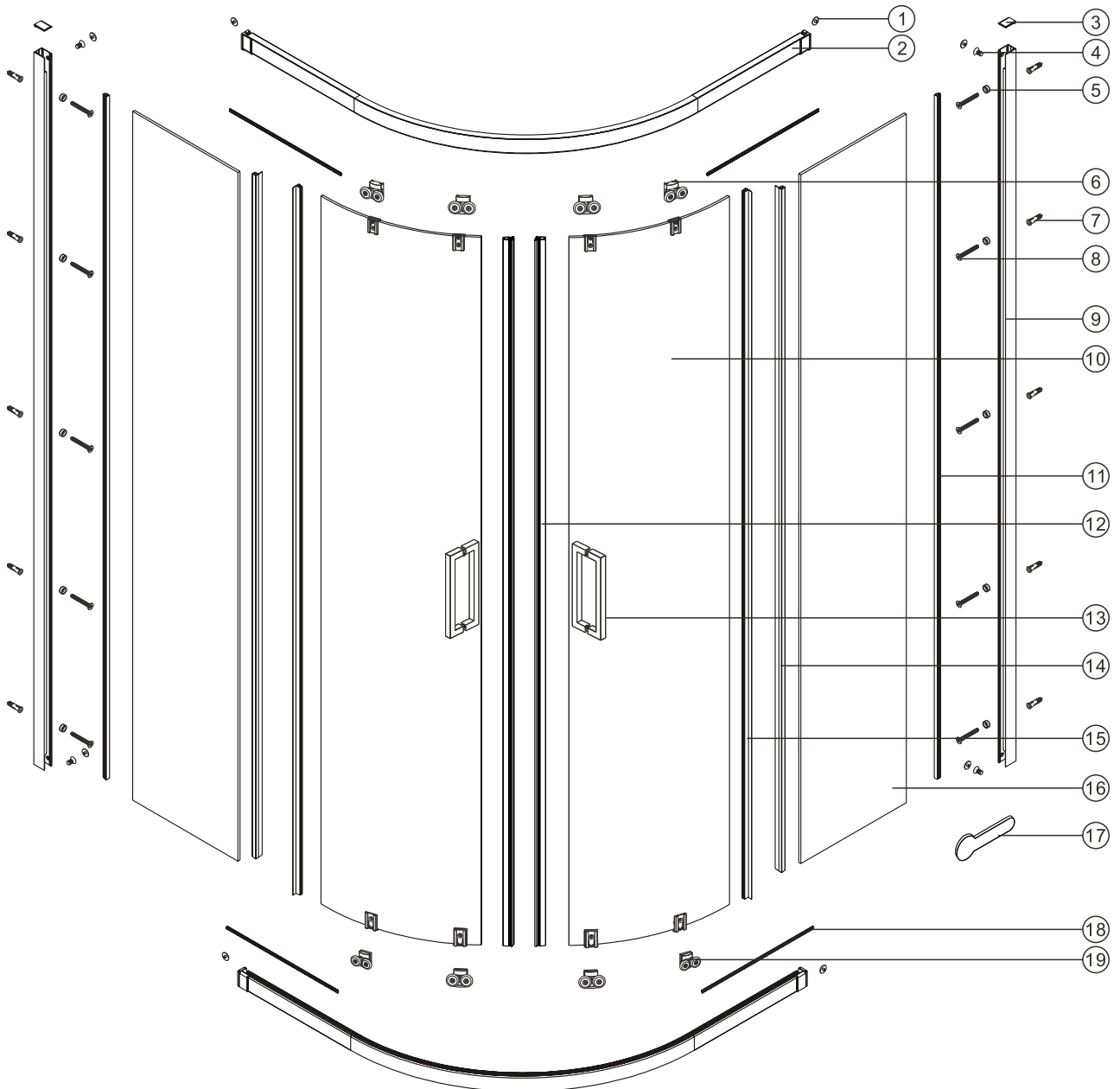
## **CAUTION**

- To prevent leaks, silicone must be applied on the outside of the shower and not on the inside
- Read all instruction carefully before starting the installation
- Save this manual for future reference

# Contents

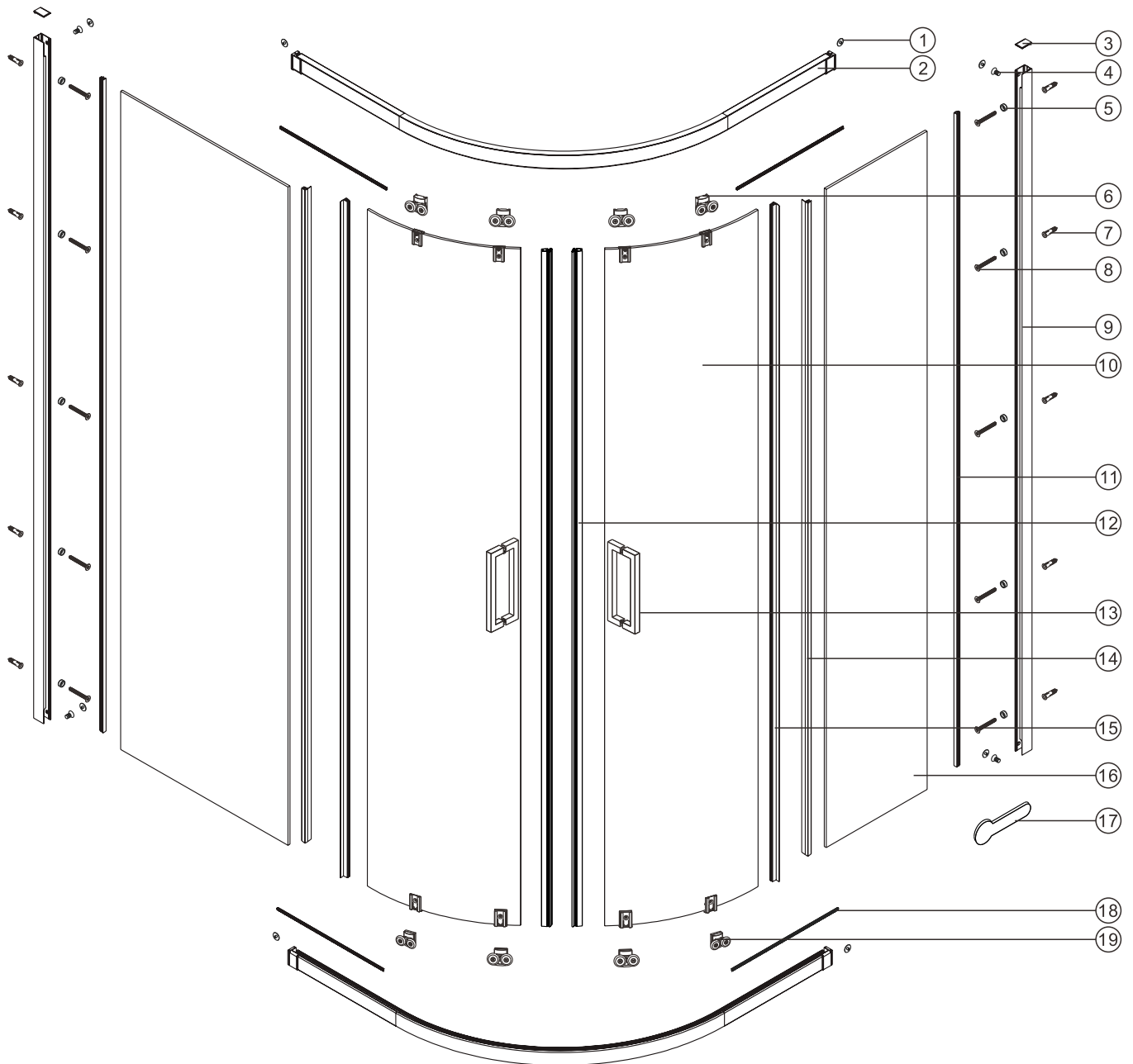
- PART LIST-----	PAGE 04
- PREPARATION & TOOL REQUIRED-----	PAGE 06
- INSTALLATION-----	PAGE 07
- CONTINUE-----	PAGE 08

# PARTS LIST



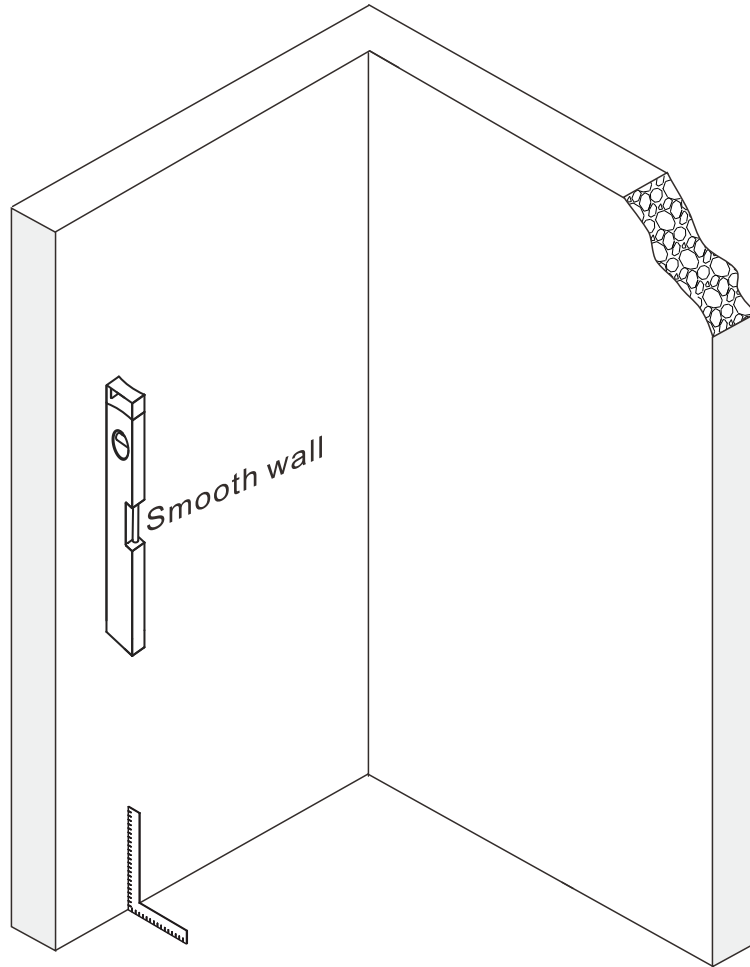
NO	Qty	Description	NO	Qty	Description
1	8	Screw cap	11	2	Wall profile gasket
2	2	Rail	12	2	Magnet seal
3	2	Profile cap	13	2	Handle
4	4	Screw M4x10	14	2	Water-retaining gasket 1872mm
5	10	Screw base	15	2	Water-retaining gasket 1933mm
6	4	Top roller	16	2	Fixed glass
7	10	Wall anchor	17	1	Installation tool
8	10	Screw ST4x40	18	4	Squeeze gasket
9	2	Wall profile	19	4	Bottom roller
10	2	Moving door			

# PARTS LIST

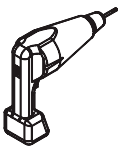


NO	Qty	Description	NO	Qty	Description
1	8	Screw cap	11	2	Wall profile gasket
2	2	Rail	12	2	Magnet seal
3	2	Profile cap	13	2	Handle
4	4	Screw M4x10	14	2	Water-retaining gasket 1872mm
5	10	Screw base	15	2	Water-retaining gasket 1933mm
6	4	Top roller	16	2	Fixed glass
7	10	Wall anchor	17	1	Installation tool
8	10	Screw ST4x40	18	4	Squeeze gasket
9	2	Wall profile	19	4	Bottom roller
10	2	Moving door			

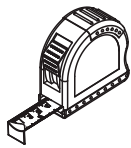
# Preparation



# Tools required



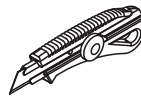
DRILL



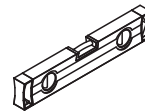
MEASURING TAPE



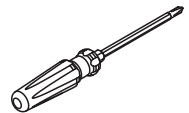
SILICONE



PRECISION KNIFE



LEVEL



SCREWDR



MALLET



SET SQUARE



PENCIL



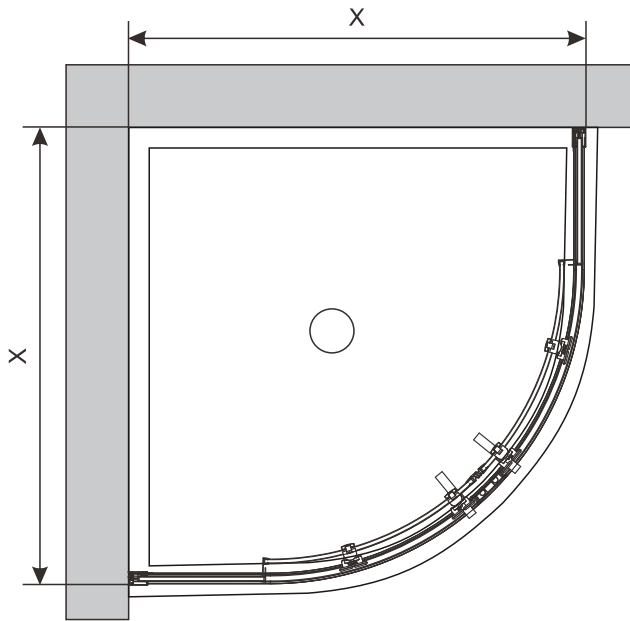
DRILL BITS: 1/8", 3/16" ET 1/4"  
\*MASONRY DRILL BIT



SCREWS

# Installation

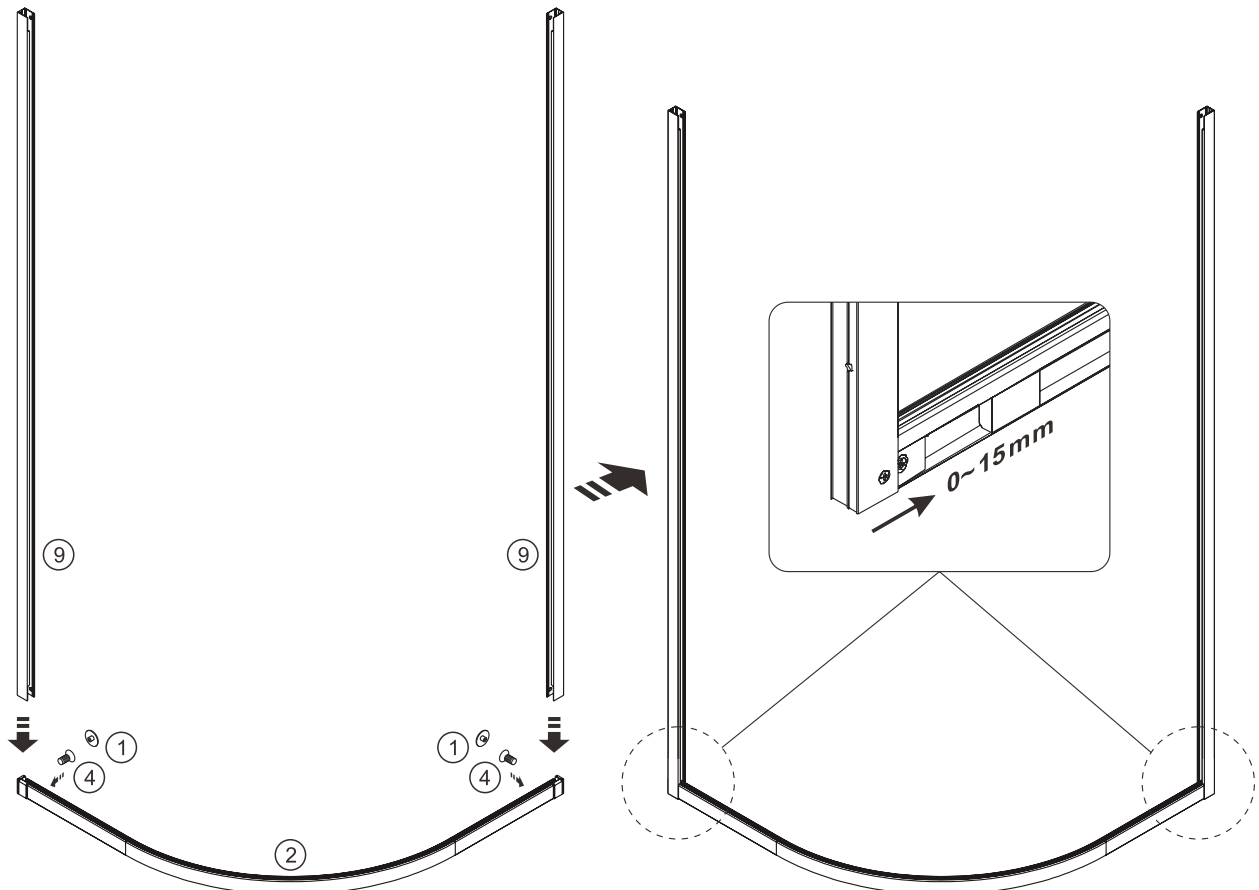
**A** 01



Size	X,mm
800	765 ~ 780
900	865 ~ 880
1000	965 ~ 980

## Continue

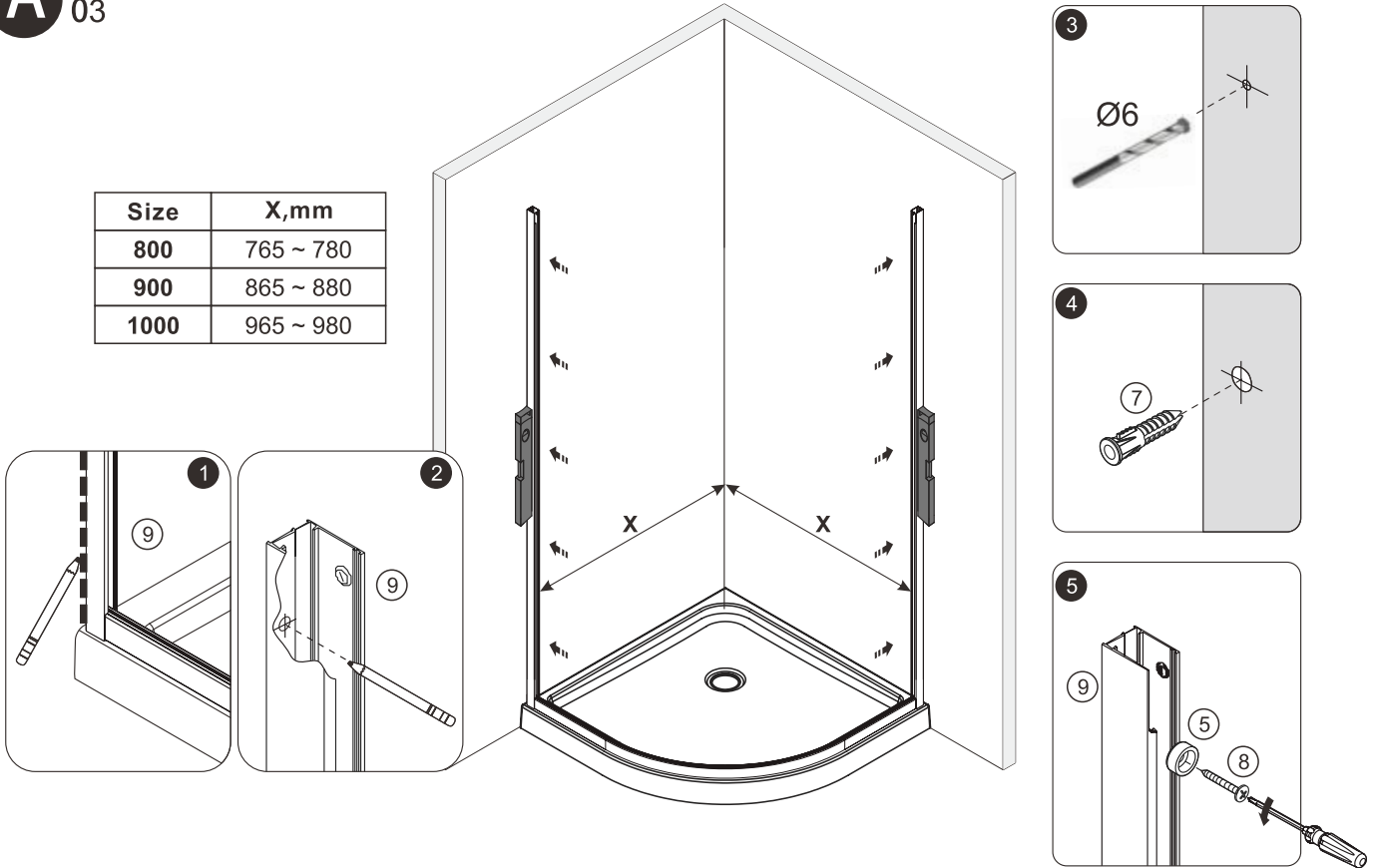
**A** 02



Continue

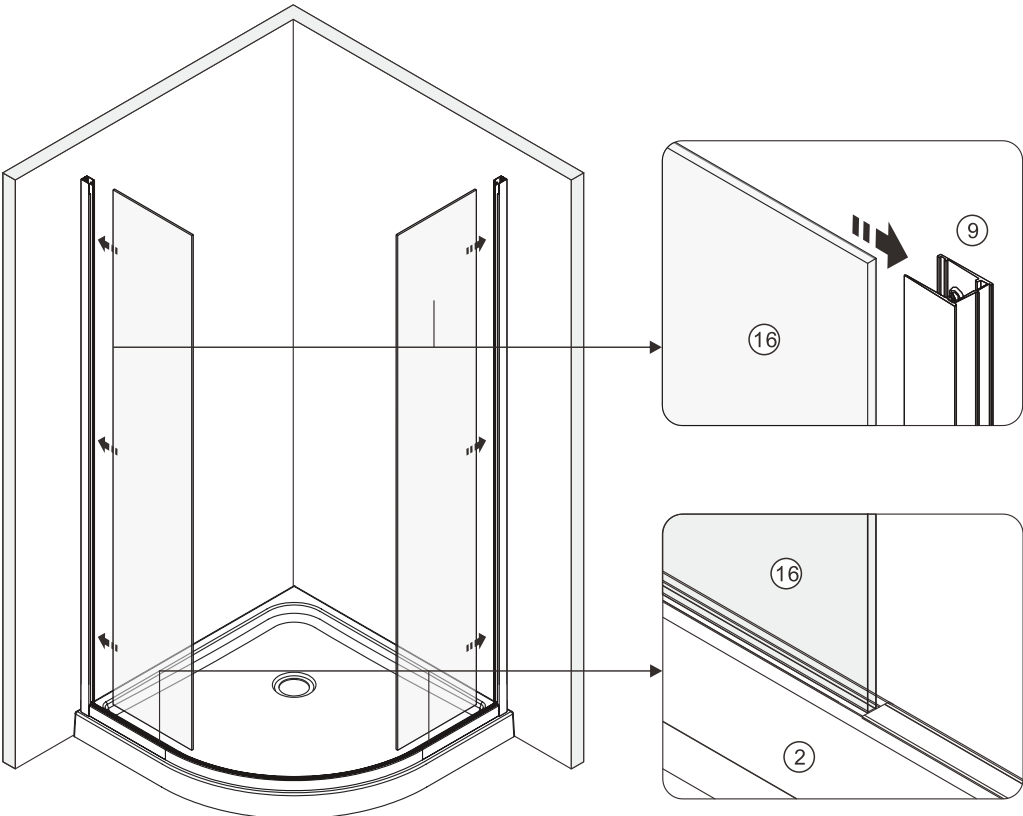
**A** 03

Size	X,mm
800	765 ~ 780
900	865 ~ 880
1000	965 ~ 980



Continue

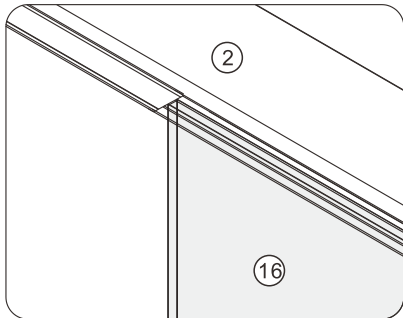
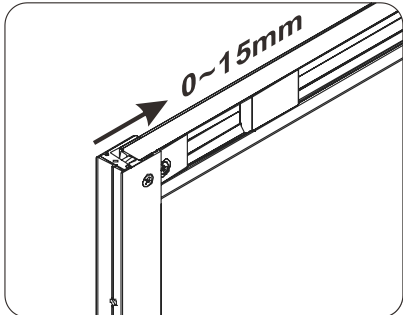
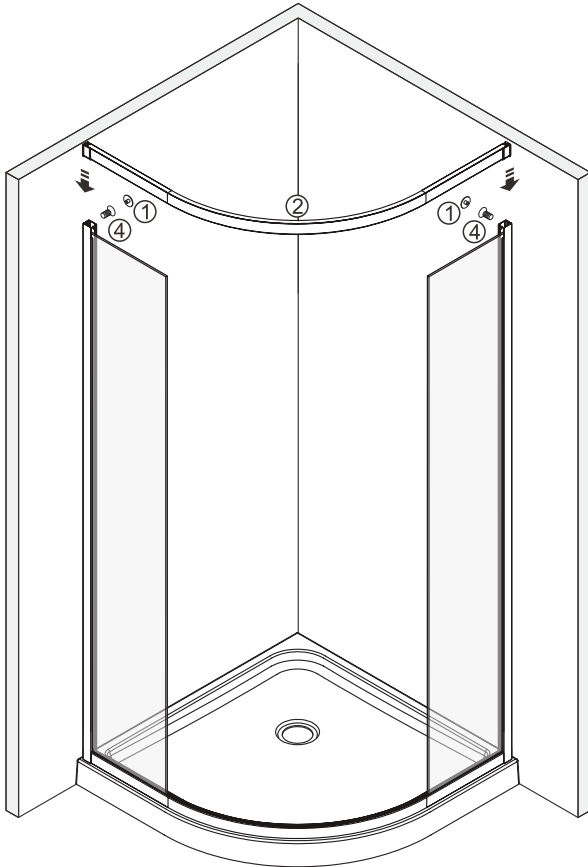
**A** 04





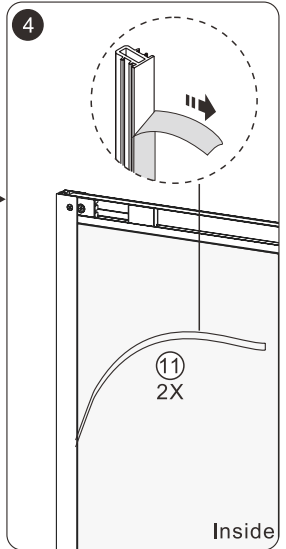
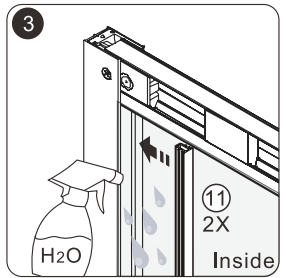
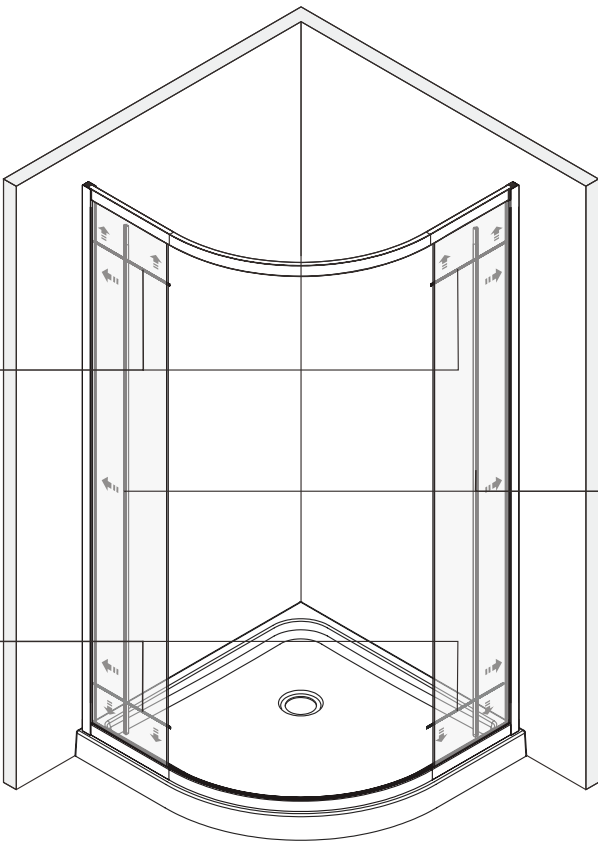
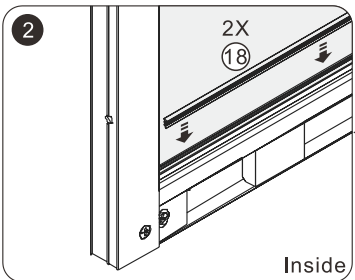
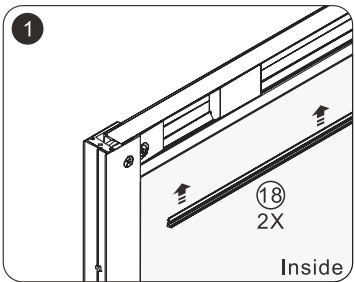
Continue

A 05



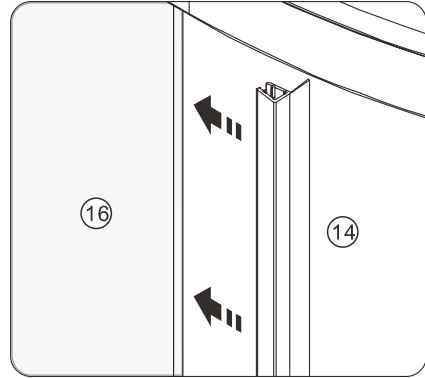
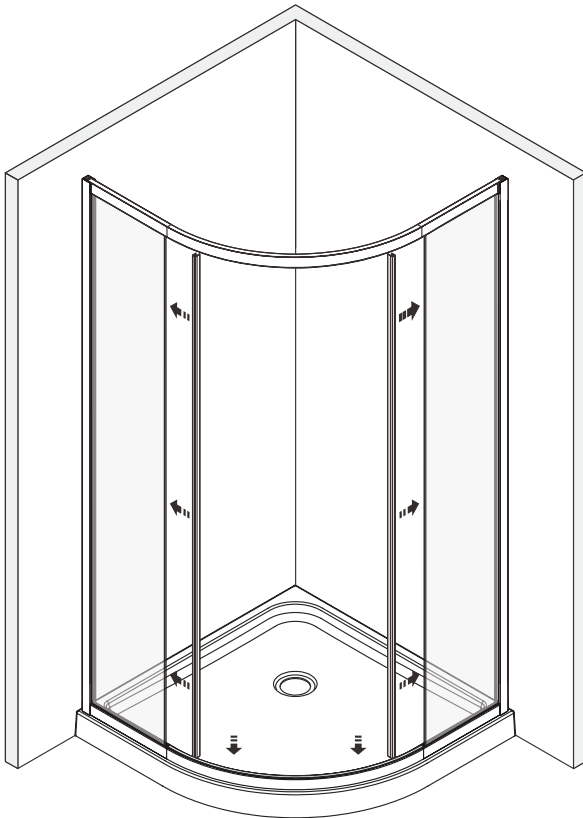
Continue

A 06



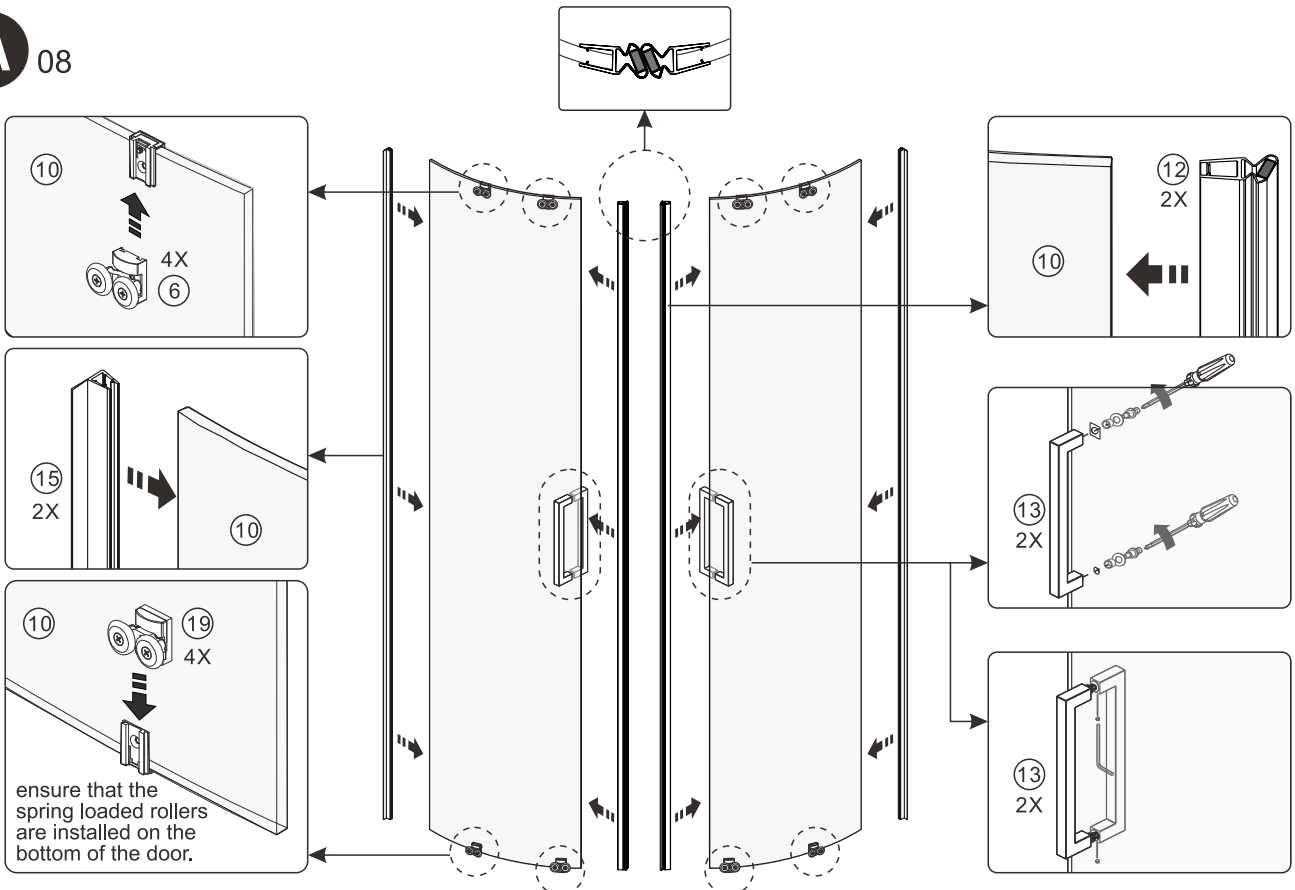
# Continue

**A** 07



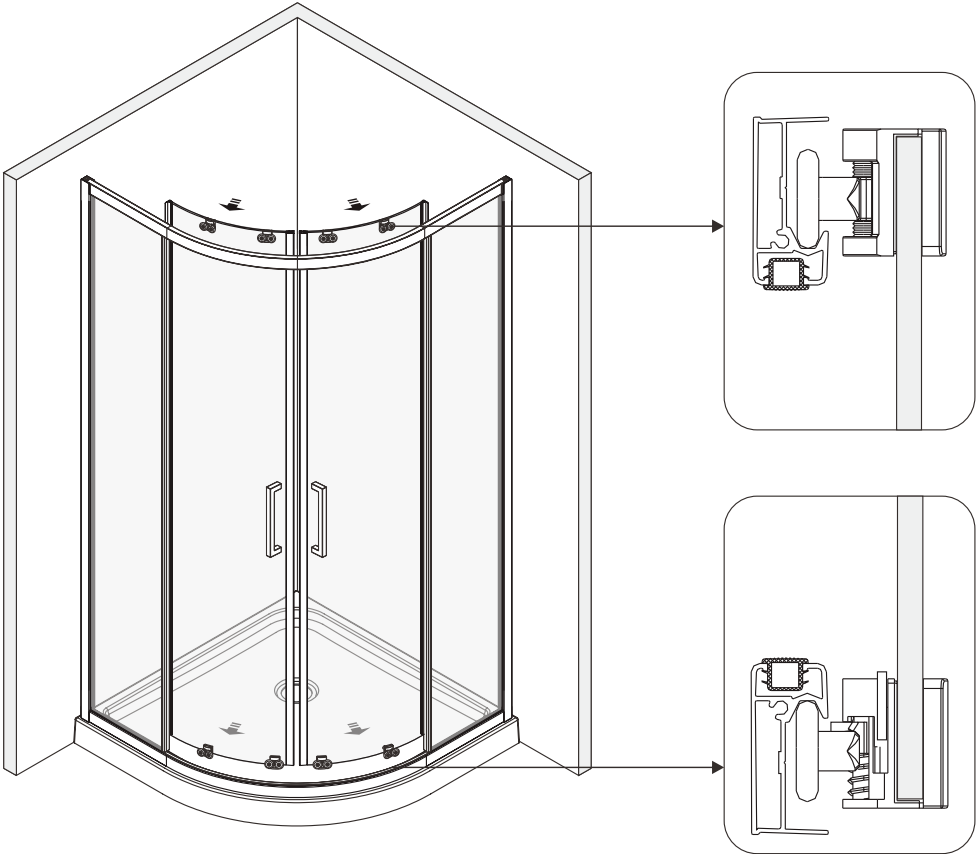
# Continue

**A** 08



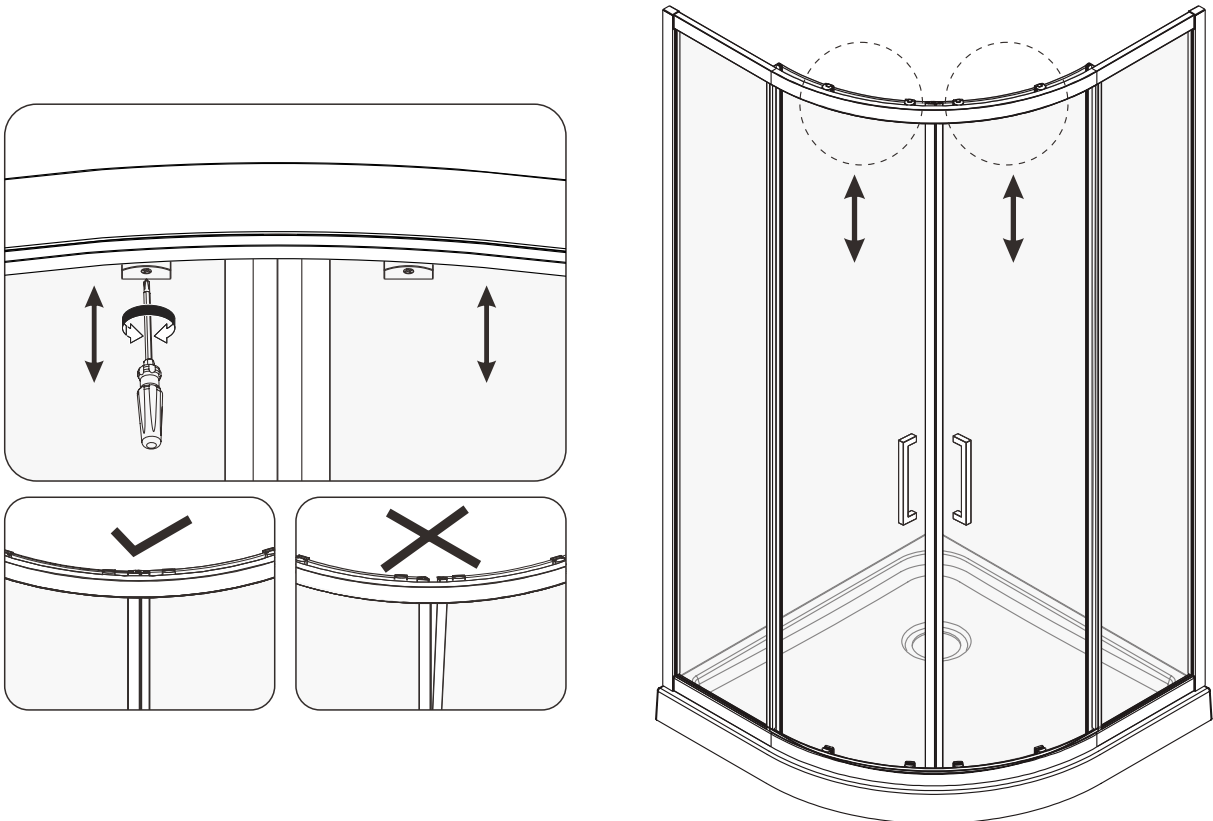
Continue

A 09

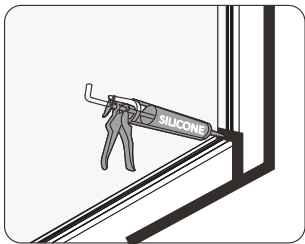
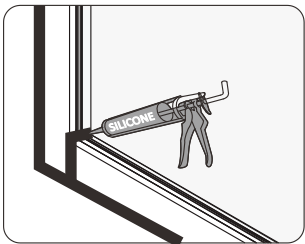
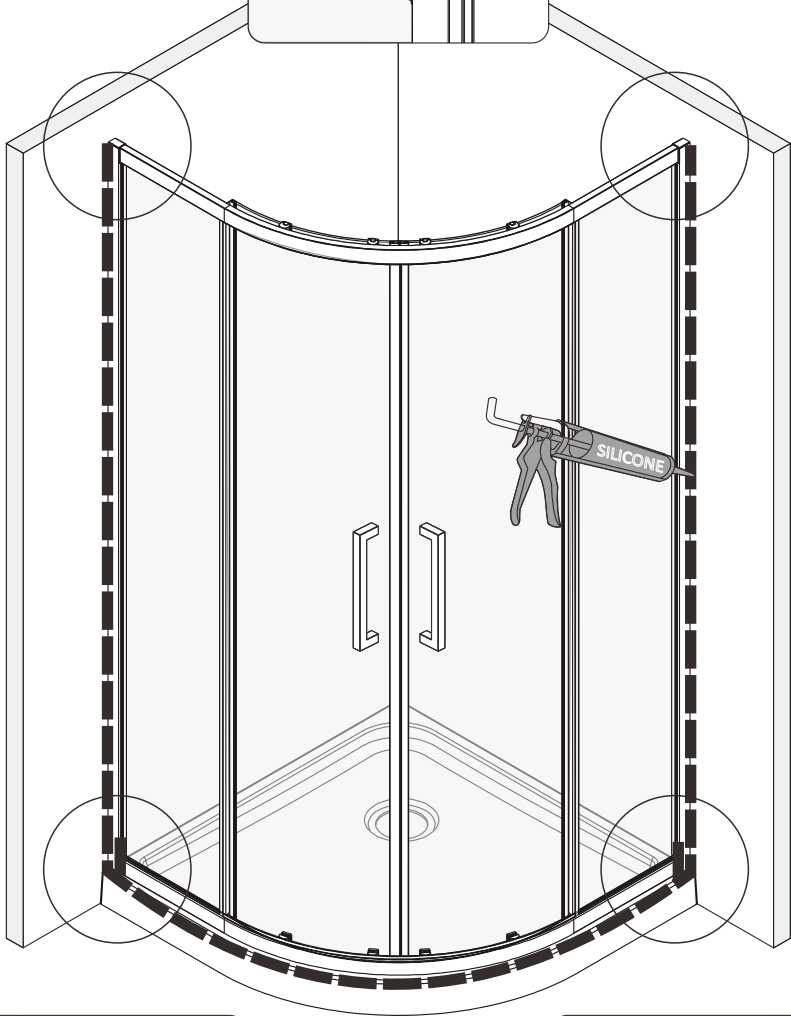
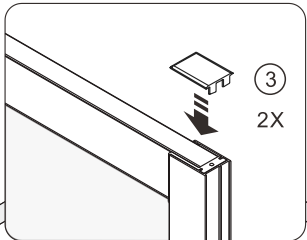
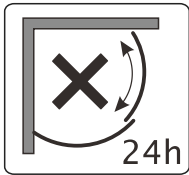
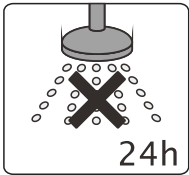


Continue

A 10

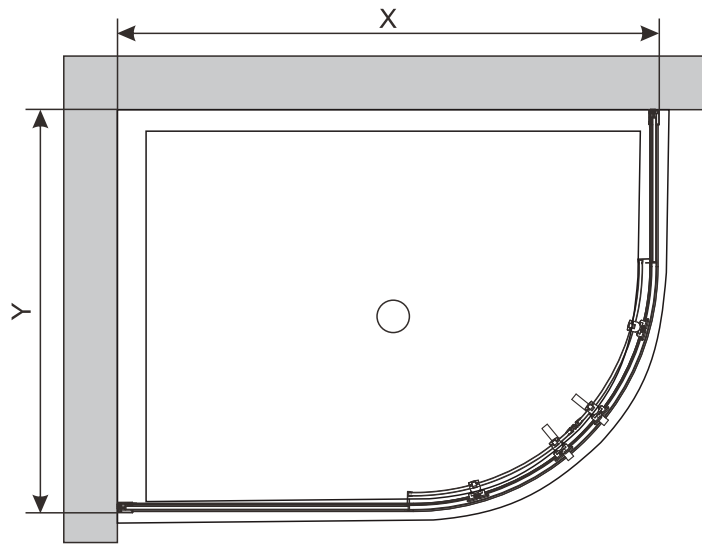


A 11



# Installation

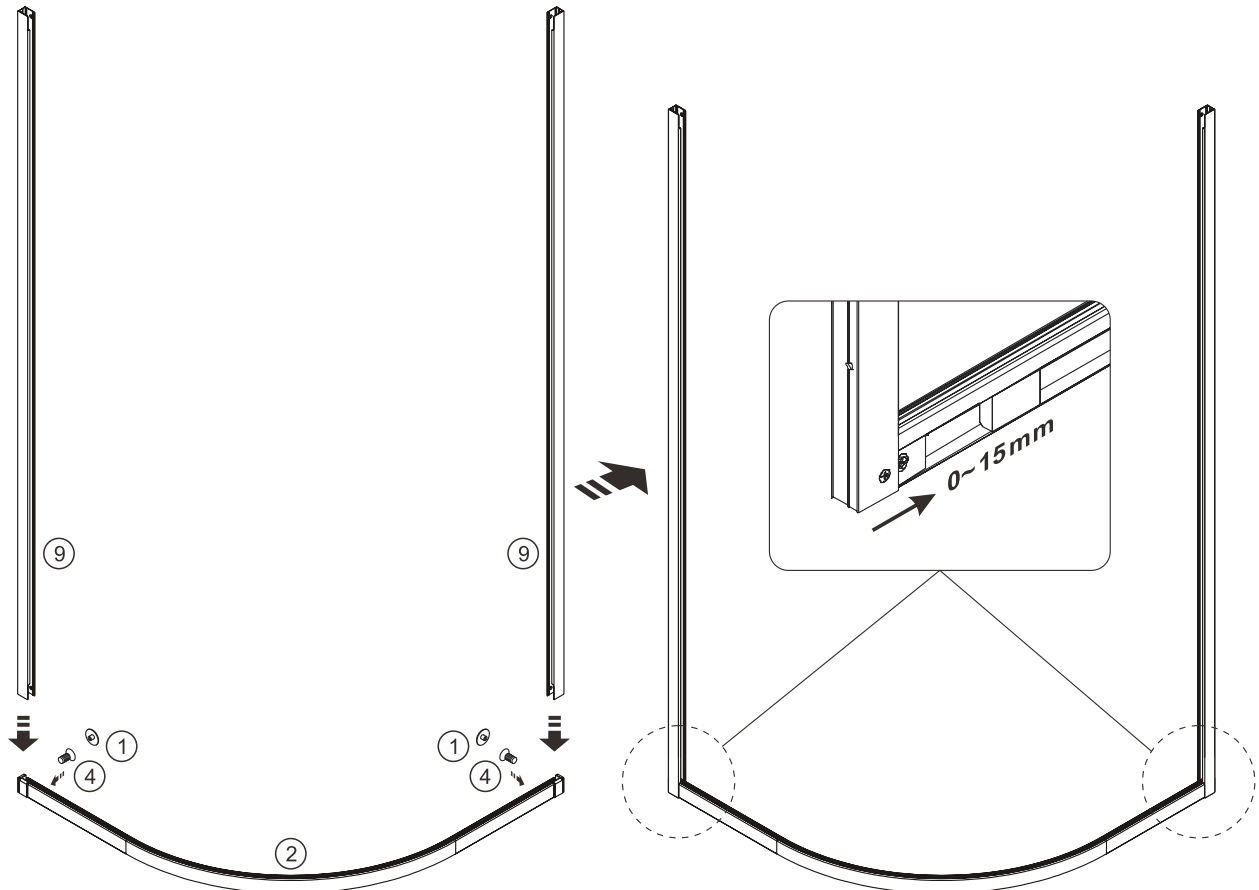
**B** 01



Size	X,mm	Size	Y,mm
900	865 ~ 880	760	725 ~ 740
1000	965 ~ 980	800	765 ~ 780
1200	1165 ~ 1180	900	865 ~ 880

# Continue

**B** 02

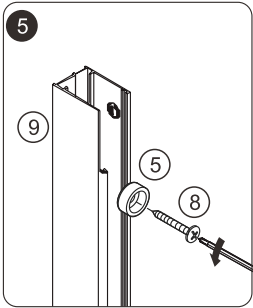
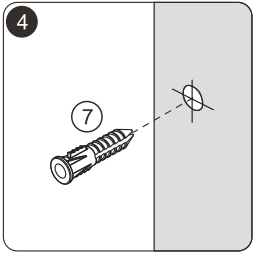
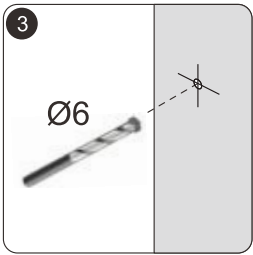
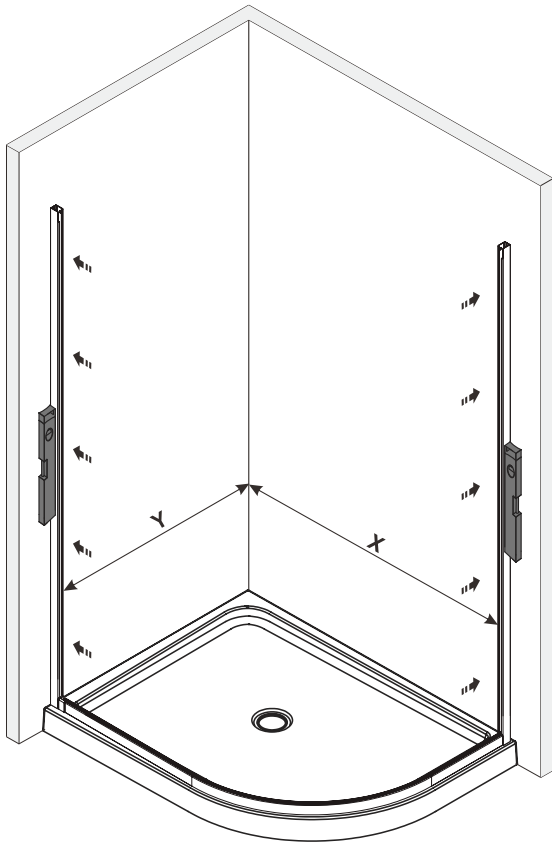
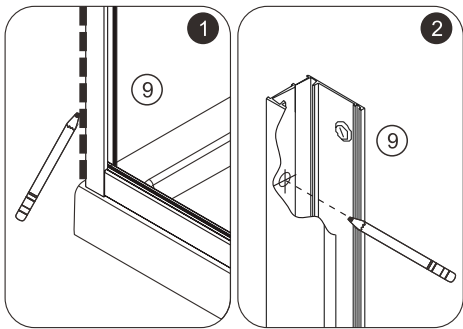


Continue

**B** 03

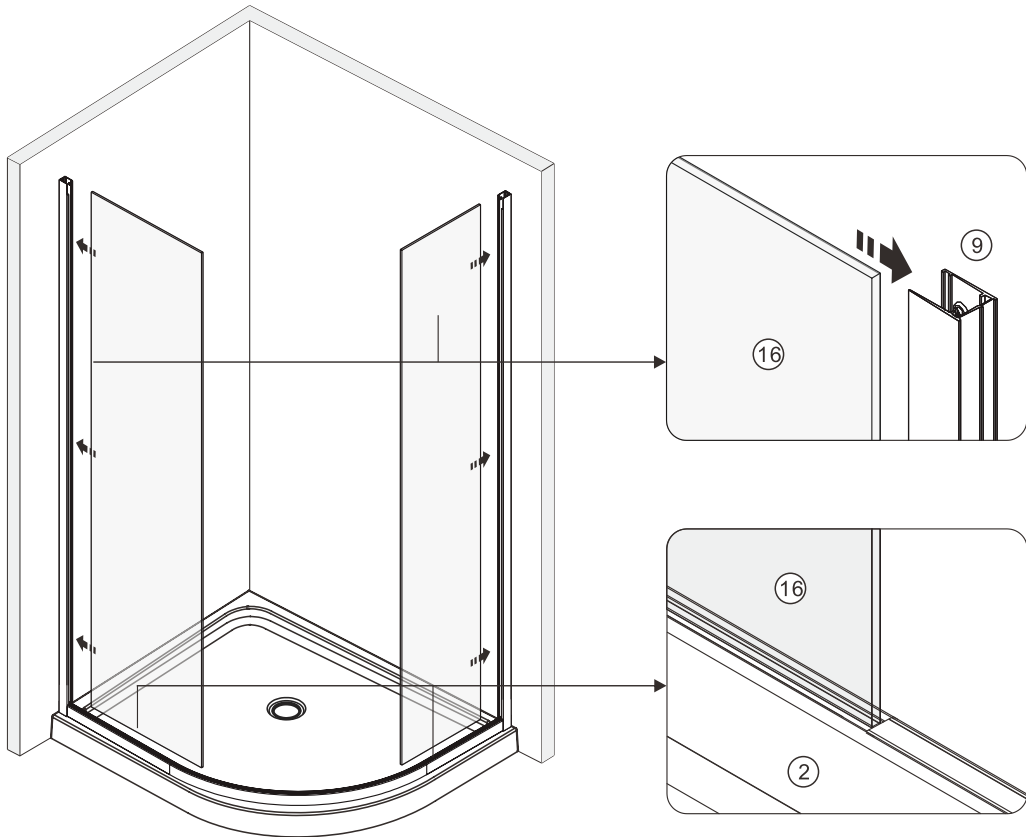
Size	X,mm
900	865 ~ 880
1000	965 ~ 980
1200	1165 ~ 1180

Size	Y,mm
760	725 ~ 740
800	765 ~ 780
900	865 ~ 880



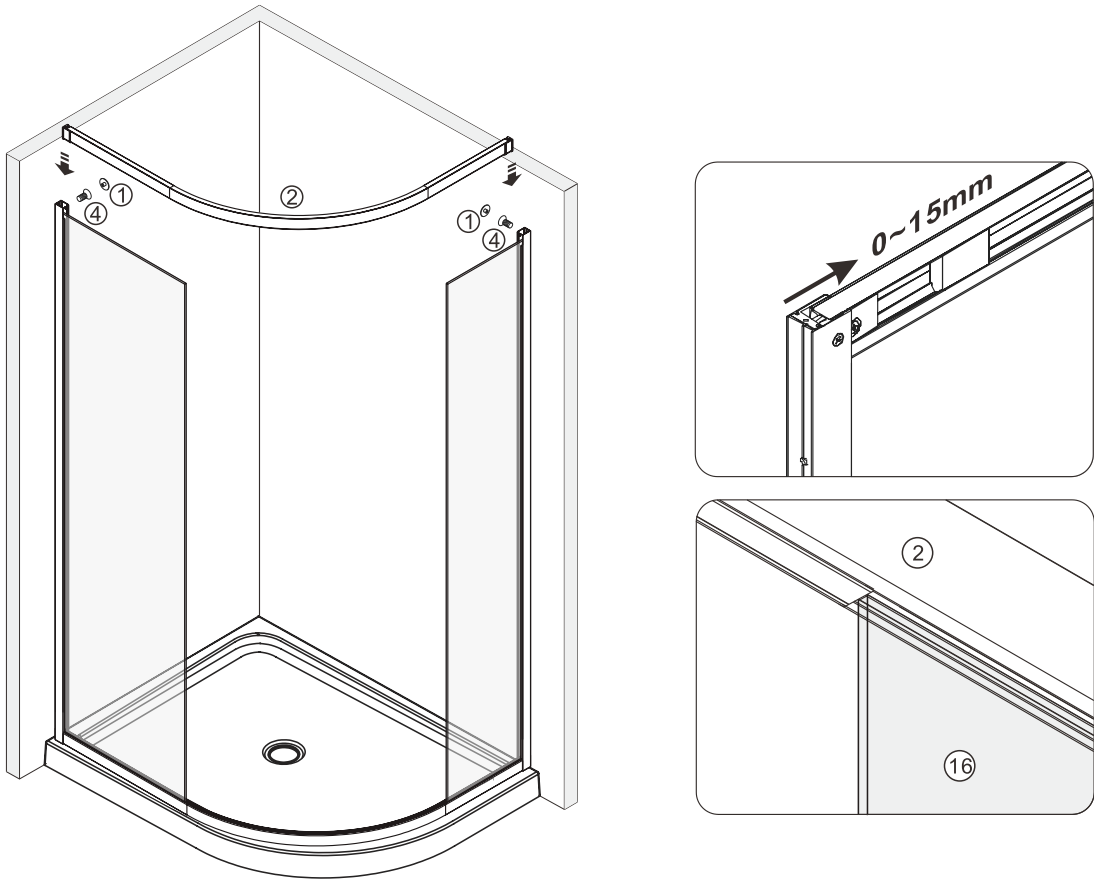
Continue

**B** 04



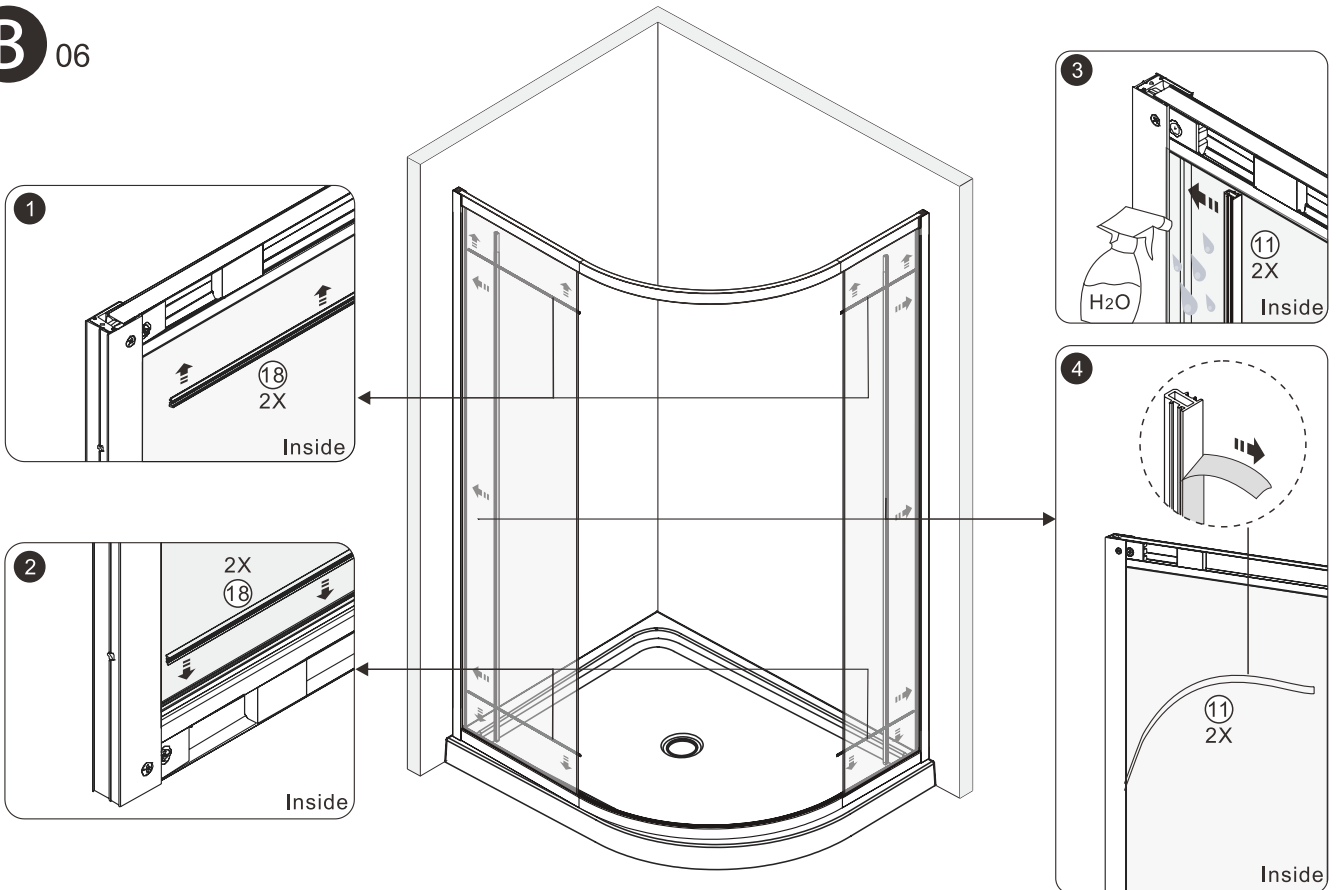
Continue

**B** 05



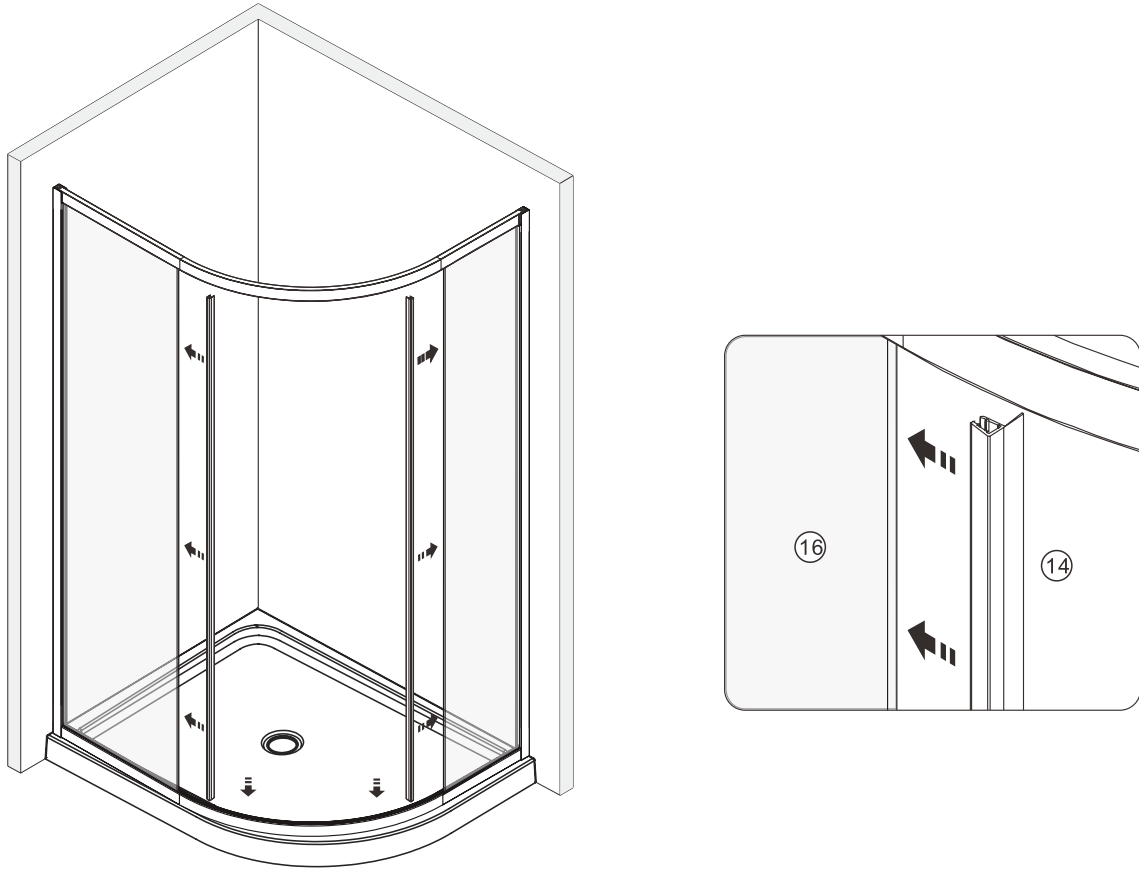
Continue

**B** 06



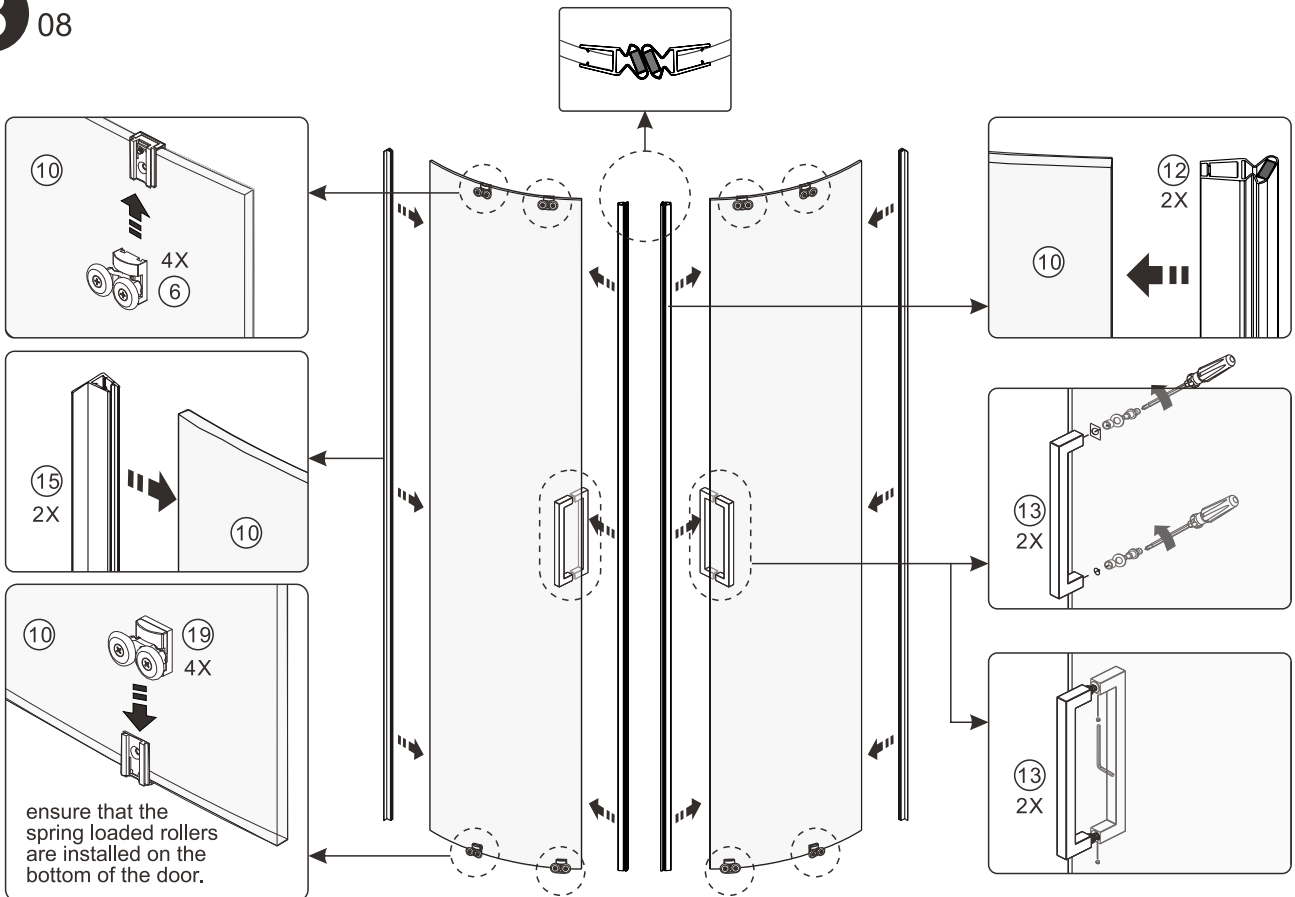
# Continue

**B** 07



# Continue

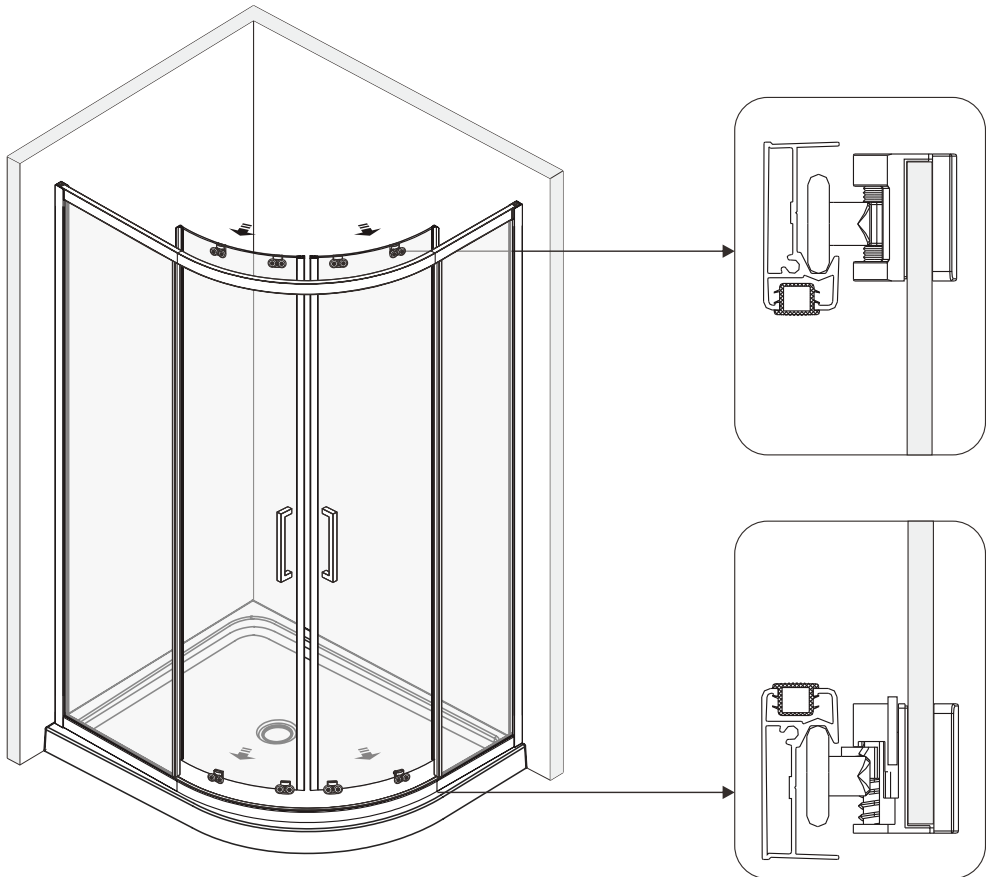
**B** 08





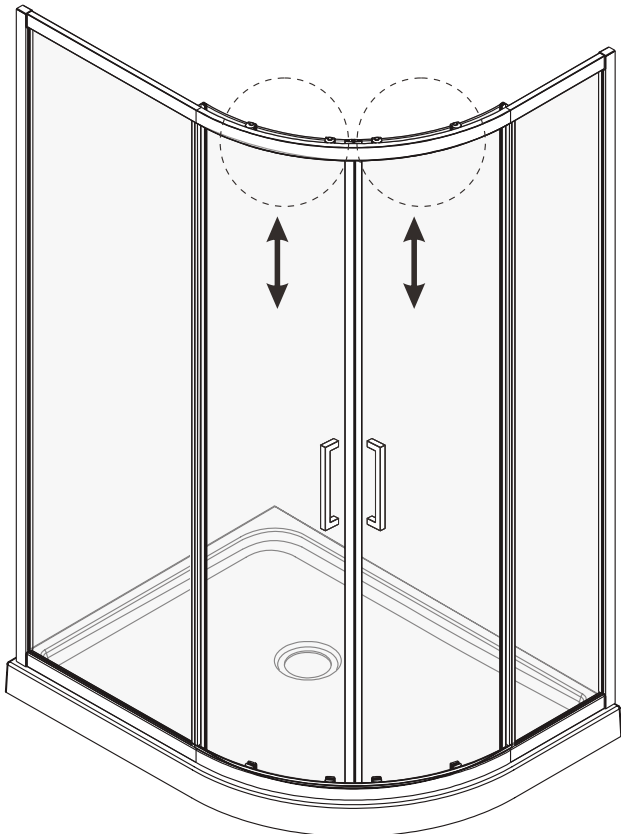
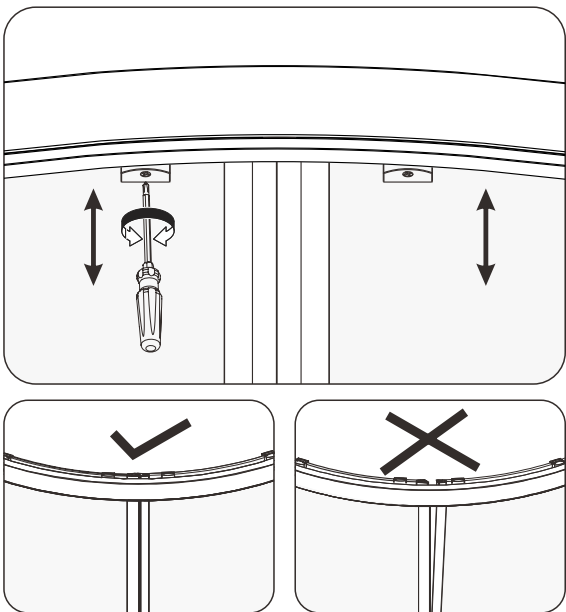
Continue

**B** 09

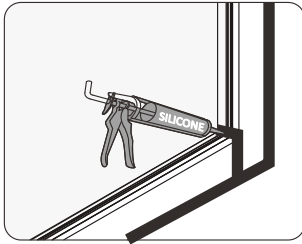
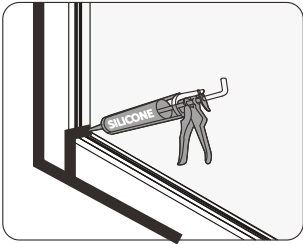
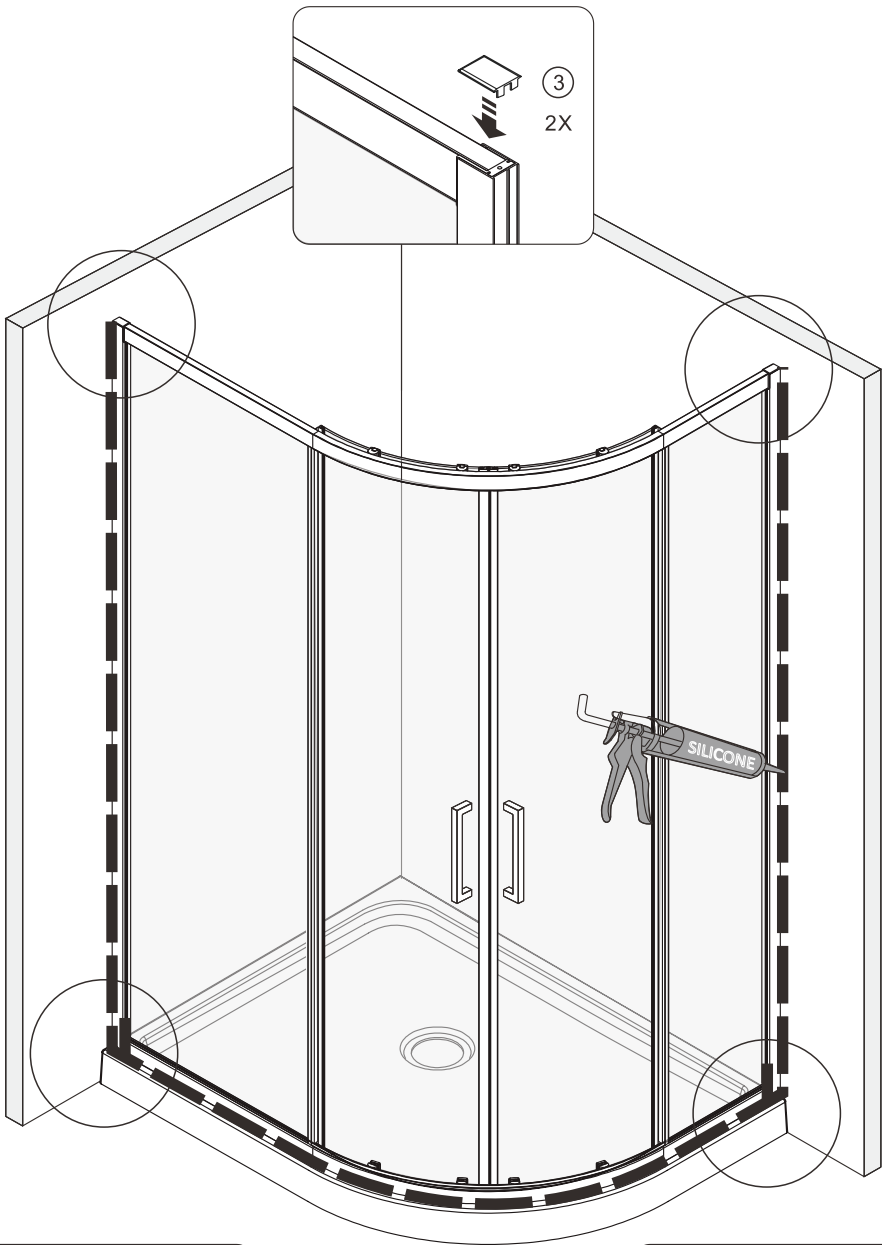
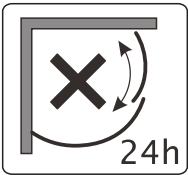
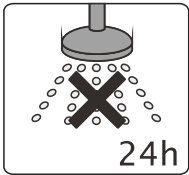


Continue

**B** 10



B 11



## Maintenance & Cleaning

Use a PH-neutral cleaning agent to maintain and clean the surface of your product. Not to use alkaline, solvent, acid and chloric or scrubbing agents.

To maintain the surface of your product, wipe with a clean damp cloth and wipe dry, do not use any abrasive cleaning agents or materials. If any harsh chemicals come into contact with the surface of the product, rinse and wipe clean immediately.

### ***For more information***

- visit [betterbathrooms.com](http://betterbathrooms.com)
- email [customerservices@buyitdirect.co.uk](mailto:customerservices@buyitdirect.co.uk)
- call 03303903062
- write to Trident Business Park, Neptune Way, Huddersfield, HD2 1UA

**better  
bathrooms** 

Part of the BuyItDirect Group